



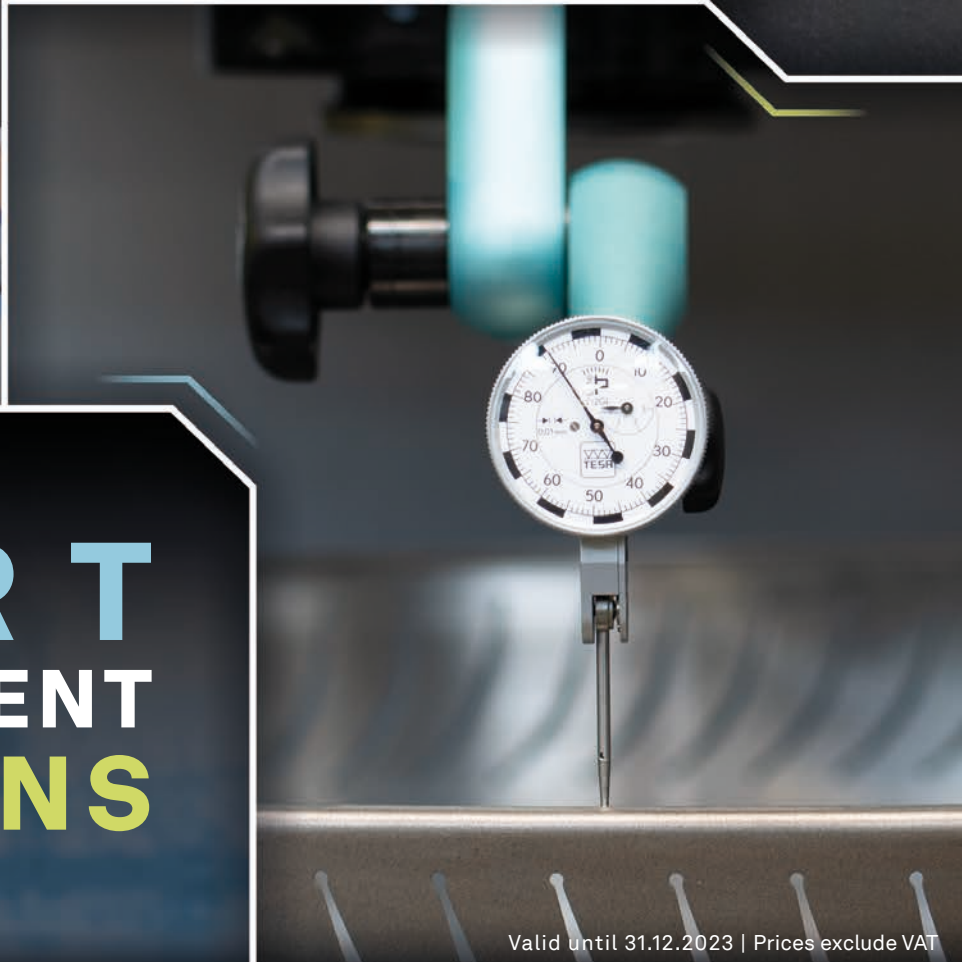
HEXAGON



TESA
TECHNOLOGY

TESA HITS 2023-2

Version EN-EUR



SMART MEASUREMENT SOLUTIONS

Valid until 31.12.2023 | Prices exclude VAT

   #empoweringmakers



Discover more
[TESAtechnology.com](https://www.tesatechnology.com)

MICRO-HITE

The quick and accurate measurement

With adjustable hybrid multi-user panel
(touch screen + keyboard)

6940€

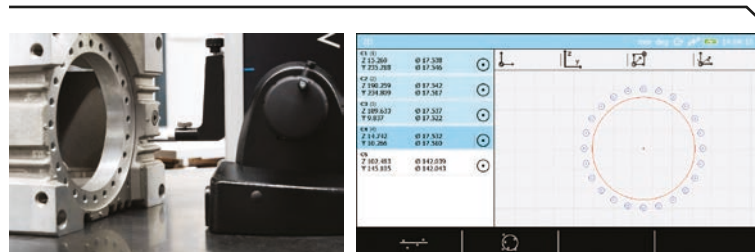
4
YEARS
WARRANTY

TESA
TLC-BLE
COMPATIBLE

SWISS ACCREDITATION
SCS 0001



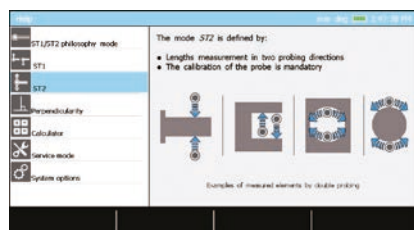
Easy 2D-measurement due to clear graphic visualization



Efficient determination of the culmination points with the LED control light



Context-based help Intelligent user follow-up



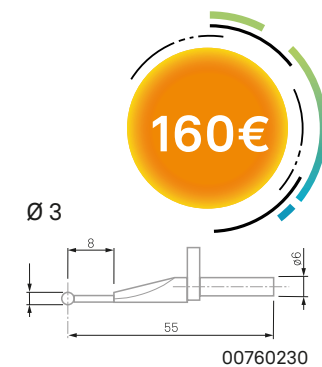
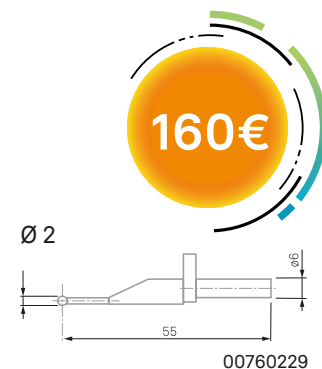
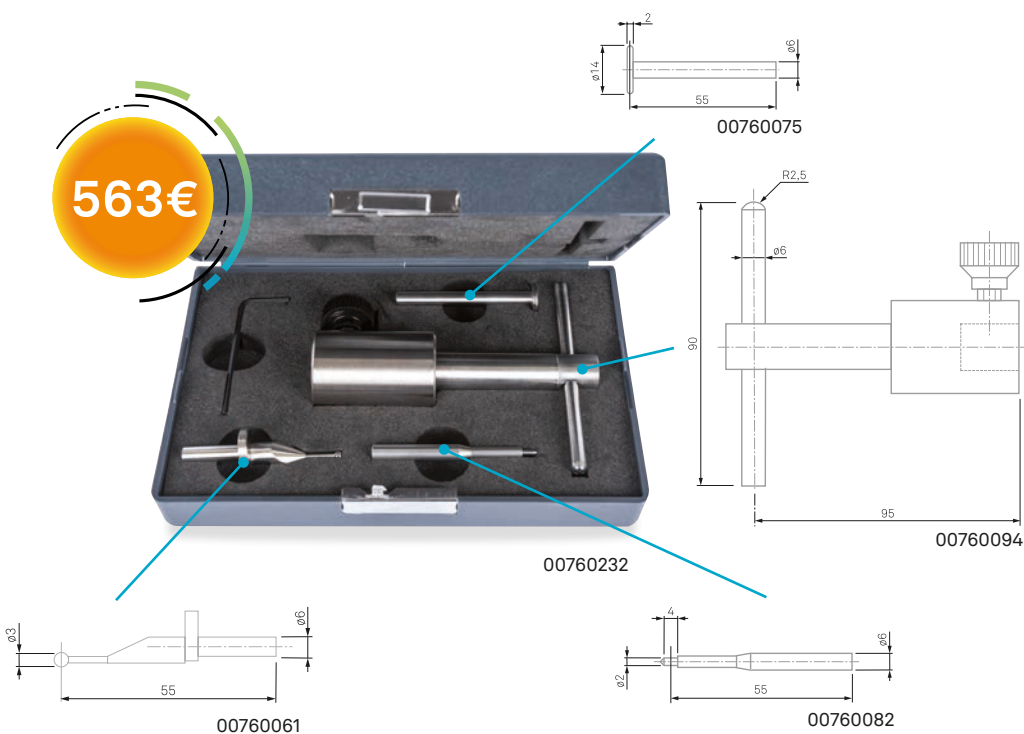
00730074

Part number	Designation	Displacement	Maximum permissible errors* µm	Repeatability limit µm	List price €	Promo price €
00730073	MICRO-HITE 350	Manual	2+2L/1000	on surface : ≤ 1; on arc : ≤ 1	7165	6440
00730074	MICRO-HITE 600	Manual	2+2L/1000	on surface : ≤ 1; on arc : ≤ 1	7721	6940
00730079	MICRO-HITE+M 350	Motorised	1.8+2L/1000	on surface : ≤ 0,5; on arc : ≤ 1	7587	6820
00730080	MICRO-HITE+M 600	Motorised	1.8+2L/1000	on surface : ≤ 0,5; on arc : ≤ 1	8166	7340

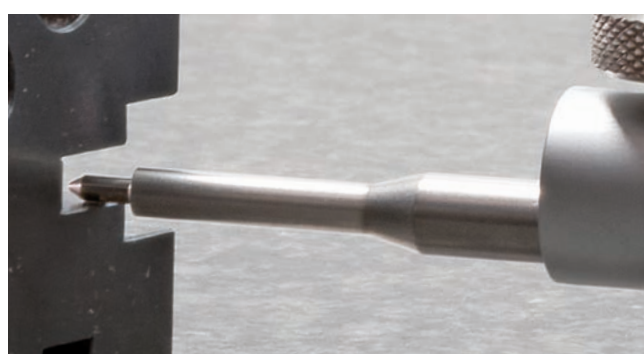
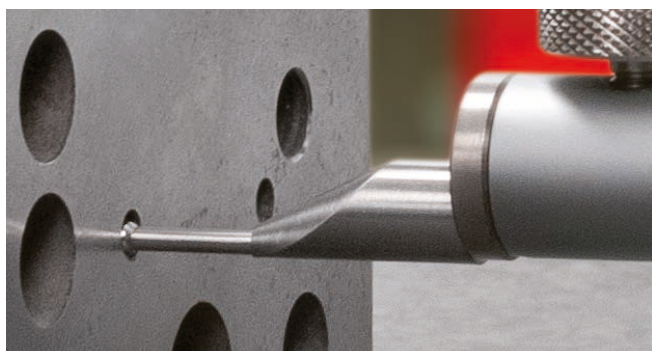
* L in mm

Height gauge accessories

Get the best of your height gauges



Part number	Designation	Diameter mm	List price €	Promo price €
00760232	Starter kit, 4 elements	-	704	563
00760228	Ø 1 mm, shank and ball tip in hard metal	1	200	160
00760229	Ø 2 mm, shank and ball tip in hard metal	2	200	160
00760230	Ø 3 mm, shank and ball tip in hard metal	3	200	160



TESA-CAL IP67

IP67: the highest protection at the best price



Part number	Designation	Measuring range mm	Depth rod	List price	Promo price
				€	€
00530140	TESA-CAL IP67	0 ÷ 150	■	121	96
00530141	TESA-CAL IP67	0 ÷ 150	●	121	96
00530140P	TRIO-PACK TESA-CAL IP67	0 ÷ 150	■	345	270
00530141P	TRIO-PACK TESA-CAL IP67	0 ÷ 150	●	345	270

Trio-Pack: 3 digital calipers

THINK BIG!

With the Trio-Pack each instrument is only 90€!





TWIN-SURF

Ultra-compact portable roughness gauge



06930014



01639065

Part number	Designation	List price	Promo price
		€	€
06930014	TWIN-SURF roughness gauge	2660	2390
06930015	TWIN-SURF roughness gauge, Bluetooth® version	2660	2390
01639065	Support with articulated arm	874	699

The TWIN-SURF (Bluetooth® version) is only available in countries where it is officially certified. Visit our website to know the list of countries in which this product is available.

RUGOSURF 20

Roughness gauge with 15 most used roughness parameters



06930013

Part number	Designation	List price	Promo price
		€	€
06930013	RUGOSURF 20*	1981	1780

*Free software download

The new P-LINE range

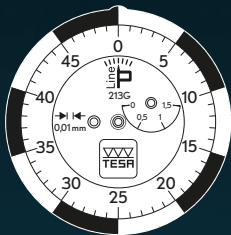


The P-LINE range evokes the history of the internationally renowned COMPAC lever-type dial test indicators.

P-LINE standard



01810400



01810401



01810402

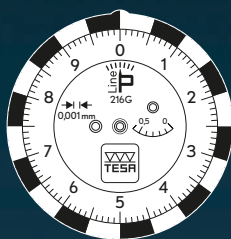
539€



01810404



01810405



01810407



521€

Part number	Designation	Measuring range mm	Resolution mm	∅ Dial mm	Circular scale	List price €
01810400	P-LINE 213	1.5	0.01	27	0 ÷ 25 ÷ 50	504
01810401	P-LINE 213G	1.5	0.01	40	0 ÷ 25 ÷ 50	509
01810402	P-LINE 212L	3	0.01	27	0 ÷ 50 ÷ 100	516
01810403	P-LINE 212GL	3	0.01	40	0 ÷ 50 ÷ 100	521
01810404	P-LINE 215	0.6	0.002	27	0 ÷ 5 ÷ 10	529
01810405	P-LINE 215G	0.6	0.002	40	0 ÷ 5 ÷ 10	534
01810406	P-LINE 215GL	1.2	0.002	40	0 ÷ 10 ÷ 20	539
01810407	P-LINE 216G	0.6	0.001	40	0 ÷ 5 ÷ 10	541

P-LINE perpendicular and parallel

- Measuring range up to 3 mm
- Measuring insert up to 36 mm
- Precision movement mounted on rubies
- Secondary pointer with revolution counter
- Movement with a very robust construction



01810408



01810409

Part number	Designation	Measuring range mm	Resolution mm	∅ Dial mm	Circular scale	List price €
01810408	P-LINE PERPENDICULAR 222GL	3	0.01	40	0 ÷ 50 ÷ 100	521
01810409	P-LINE PARALLEL 232GL	3	0.01	40	0 ÷ 50 ÷ 100	521

Magnetic supports with articulated arm

- 3D Articulated arm – High positioning flexibility
- Simple and secure locking with a two-position knob. Highly rigid arm and articulation
- Light alloy arm
- Dovetail clamp with a ∅ 8 mm clamping bore
- Clamp with fine adjustment



01639060



01639061

Part number	Height (base included) mm	Base	Force N	Dimension base mm	List price €	Promo price €
01639060*	220	Magnetic	300	34 x 30 x 35	286	228
01639061*	310	Magnetic	800	60 x 50 x 55	302	241

*Digital dial gauges not included

TWIN-T20

Digital display

- Robust, for laboratory and workshop use
- Large colour screen for comfortable reading
- To connect 1 or 2 inductive probes and/or TESA measuring instruments (caliper, micrometer, dial gauge,...)
- Easy handling
- 4 different display styles
- Touch screen

1270€

Part number	Designation	List price €	Promo price €
04430014	TWIN-T20 display	1589	1270



04430014

Giving way to the next generation

Upgrade to the TWIN-T20 for a modern and intuitive interface that simplifies reading measurement values. Gain access to multiple display views, presets with nominal values, new output options (TLC-BLE, USB HID), USB instrument connectivity, and customizable soft keys.



We reserve the right to make changes to our products, especially due to technical improvements and further developments. All illustrations and technical data are therefore without guarantee. All prices shown are non-binding price recommendations.